



3337 SUSAN STREET, SUITE 100
COSTA MESA, CA 92626
PHONE: 714.596.9960
FAX: 714.596.9970
www.lazydogrestaurants.com

THESE DRAWINGS PREPARED BY LAZY DOG RESTAURANTS FOR THE PROJECT ARE FOR USE SOLELY WITH RESPECT TO THIS PROJECT AND UNLESS OTHERWISE PROVIDED, LAZY DOG RESTAURANTS SHALL BE DEEMED THE AUTHOR OF THESE DOCUMENTS AND SHALL RETAIN ALL COMMON LAW, STATUTORY AND OTHER RESERVED RIGHTS, INCLUDING COPYRIGHT. THESE DRAWINGS SHALL NOT BE USED BY OTHERS ON OTHER PROJECTS, FOR ADDITIONS TO THIS PROJECT OR FOR COMPLETION OF THIS PROJECT BY OTHERS, EXCEPT BY AGREEMENT IN WRITING BY LAZY DOG RESTAURANTS.

| | |
|---|--|
| □ | |
| □ | |
| □ | |
| □ | |
| □ | |
| □ | |
| □ | |
| □ | |
| □ | |
| □ | |
| □ | |

3357 U.S. HIGHWAY 1
(BRUNSWICK PIKE)
LAWRENCEVILLE
NJ 08648



SHEET TITLE
Preliminary Landscape Plan

DRAWN BY
NS
CHECKED BY
SSA
SCALE
1"=10'
JOB NO.

SHEET NUMBER
L-1

PLANT LEGEND

| SYMBOL | SIZE | BOTANICAL NAME | COMMON NAME | QUANTITY |
|--------------------------------|---------|--------------------------|----------------------|----------|
| TREES | | | | |
| | 2" CAL. | AMELANCHIER 'ROBIN HILL' | SERVICEBERRY | 8 |
| SHRUBS & PERENNIALS | | | | |
| | 1 GAL | CALLUNA V. 'WYANDA' | SCOTCH HEATHER | 70 |
| | 5 GAL | CEDRUS D. 'FEELIN' BLUE' | WEeping DEODAR CEDAR | 2 |
| | 5 GAL | JUNIPERUS S. 'SKYROCKET' | SKYROCKET JUNIPER | 7 |
| | 5 GAL | KALMIA L. 'ELF' | ELF MOUNTAIN LAUREL | 11 |
| | 5 GAL | PICEA M. 'NANA' | DWARF BLACK SPRUCE | 11 |

| | | | | |
|------------------------|-------|---------------------------------|---------------------------|----|
| GRASSES | | | | |
| | 1 GAL | DESCHAMPSIA C. 'SCHOTTLAND' | SCOTTISH TUFTED HAIRGRASS | 19 |
| | 1 GAL | DESCHAMPSIA C. 'PIXIE FOUNTAIN' | PIXIE FOUNTAIN HAIRGRASS | 27 |
| CORTEN PLANTERS | | | | |
| | 1 GAL | BOUTELOUA G. 'BLONDE AMBITION' | BLUE GRAMA GRASS | 19 |
| | 1 GAL | CAREX AUREA | BOWLES GOLDEN SEDGE | 8 |
| | 1 GAL | CARYOPTERIS C. 'BLUE BALOON' | BLUEBEARD | 10 |
| | 1 GAL | DRYOPTERIS E. 'BRILLIANCE' | AUTUMN FERN | 12 |
| | 1 GAL | SPIRAEA J. 'LIL FLIRT' | LIL FLIRT SPIRAEA | 10 |
| | 1 GAL | THUJA O. 'FIRE CHIEF' | FIRE CHIEF OCCIDENTALIS | 7 |

| | | | | |
|------------------------------|--|--|--|--|
| 4" POTS | | | | |
| MIXED PERENNIALS TO FILL | | | | |
| ASTILBE SP. | | | | |
| AQUILEGIA SP. | | | | |
| ECHINACEA SP. | | | | |
| HOSTA SP. | | | | |
| PENSTEMON H. 'MARGARITA BOP' | | | | |
| PHLOX PANICULATA | | | | |
| ASTILBE | | | | |
| COLUMBINE | | | | |
| CONEFLOWER | | | | |
| HOSTA | | | | |
| PENSTEMON | | | | |
| PHLOX | | | | |

+/- (19) EA. BOULDERS TO BE MIN. 2'-3' DIAMETER FROM LOCAL SOURCE. BOULDERS' SIZES SHALL BE +/- 55% LARGER BOULDERS AND +/- 45% SMALLER BOULDERS UNLESS DIRECTED OTHERWISE BY OWNER'S REPRESENTATIVE. BOULDERS' QUANTITY AND LAYOUT IS FOR BIDDING PURPOSES ONLY. CONTRACTOR SHALL CONTACT PAMELA JENSEN, Email: emeraldacegardens@gmail.com, Cell: (714) 623-9954 TO ENSURE THE CORRECT BOULDERS ARE ORDERED.

ALL PLANTING AREAS TO RECEIVE +/- 3" DEPTH OF 1"-2" SIZE RIVER ROCK. RIVER ROCK AREAS SHALL BE INSTALLED ON TOP OF 'GORILLA HAIR' MULCH.

STONE BENCH, INSTALL IN PLANTERS. QUANTITY: 2

(2) - 26" dia. PRECAST POT BY: ASIAN CERAMICS, MODEL NO.: 5-6070, COPPER RED, SIZE 1 (FOR ENTRY), OR APPROVED EQUAL. CONTACT: LYNN DE LA PENA, (626) 449-6800

(16) - CORTEN STEEL PLANTERS OF VARIOUS SIZES (SEE PLAN) - CUSTOM BY APPROVED MANUFACTURER

ORDER POTS EARLY TO ALLOW TIME FOR DELIVERY AND POTENTIAL REPLACEMENT. COPY PAMELA JENSEN, Email: emeraldacegardens@gmail.com, Cell: (714) 623-9954 TO ENSURE THE CORRECT PLANTERS ARE ORDERED.

PLANTING NOTES

CONTRACTOR SHALL VERIFY LOCATION OF ALL UNDERGROUND UTILITIES AND SERVICES PRIOR TO ANY DIGGING. CONTRACTOR ASSUMES FULL RESPONSIBILITY FOR ALL DAMAGE CAUSED BY FAILURE TO DO SO.

PLANT MAINTENANCE WORK SHALL CONSIST OF APPLYING WATER, WEEDING, FERTILIZING PER SPECIFICATIONS.

THE ENTIRE PROJECT IS TO BE MAINTAINED FOR A PERIOD OF 60 CALENDAR DAYS, COMMENCING FROM THE TIME ALL ITEMS OF WORK HAVE BEEN COMPLETED TO THE SATISFACTION OF THE LANDSCAPE ARCHITECT.

CONTRACTOR SHALL BE RESPONSIBLE FOR DISEASE AND PEST CONTROL DURING THE MAINTENANCE PERIOD.

CONTRACTOR SHALL RAISE OR LOWER SPRINKLER HEADS TO PROPER LEVEL IF PLANT MATERIAL OBSTRUCTS FULL COVERAGE.

CONTRACTOR TO VERIFY WITH SOIL ANALYSIS, THE SOIL AMENDMENT AND CONTACT THE LANDSCAPE ARCHITECT IF THERE ARE ANY INADEQUATE AMENITIES.

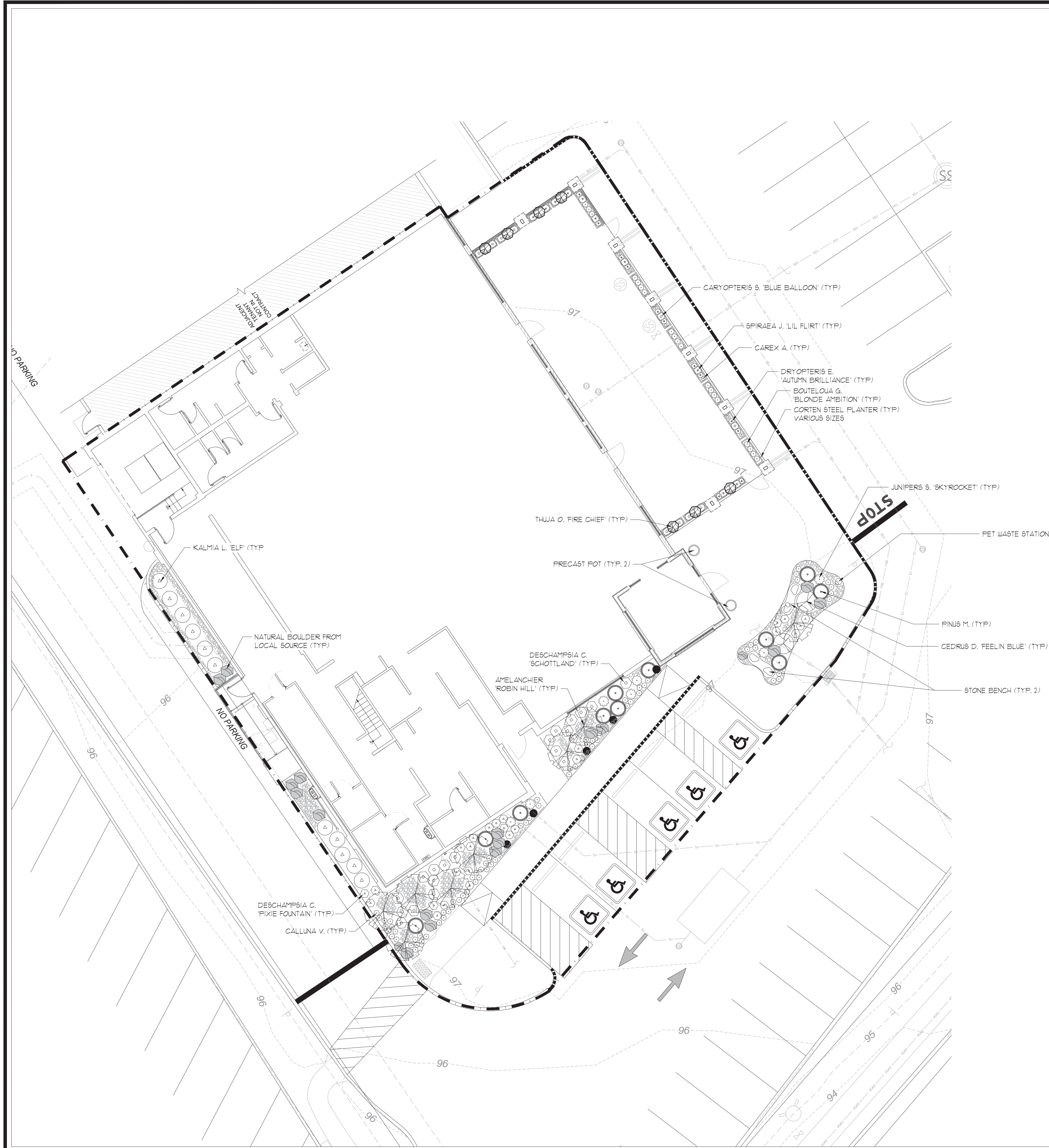
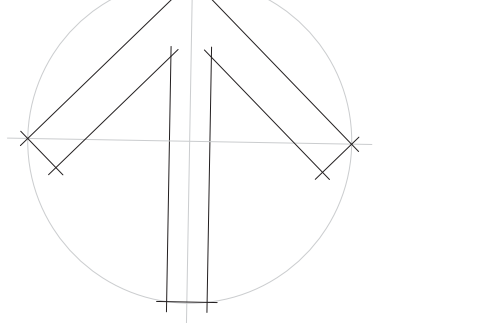
ALL SHRUBS AND GROUND COVER TO BE INSTALLED 1" ABOVE BACKFILL GRADE. COMPACT BACKFILL TO REMOVE MAJOR SETTling OF PLANT MATERIAL.

PLANTS CALLED OUT ON PLAN ARE CONSIDERED IN CLUSTERS EVEN IF NOT ATTACHED BY CONNECTING LINES. CALLOUTS WILL HAVE TOTAL COUNTS NEEDED.

ALL TREES WITHIN FIVE FEET (5') OF HARDSCAPE OR WALLS TO BE INSTALLED WITH A ROOT BARRIER.

CONTRACTOR SHALL ENSURE THAT ALL TOP SOILS HAVE A MINIMUM OF 4" HORIZONTAL SEPARATION FROM BUILDING WEEP SCREED AND ALL SOIL SHALL SLOPE AWAY FROM THE BUILDING.

NORTH





Amelanchier sp. - Serviceberry



Calluna v. 'Wyanda' - Scotch Heather



Cedrus d. 'Feelin Blue' - Weeping Deodar Cedar



Juipeurs s. 'Skyrocket' - Skyrocket Juniper



Kalmia l. 'Elf' - Elf Mountain Laurel



Picea m. 'Nana' - Dwarf Black Spruce



Deschampsia c. 'Pixie Fountain' - Pixie Fountain Tufted hairgrass



Deschampsia c. 'Schottland' - Scottish Tufted Hairgrass



Bouteloua g. 'Blonde Ambition' - Blue Grama Grass



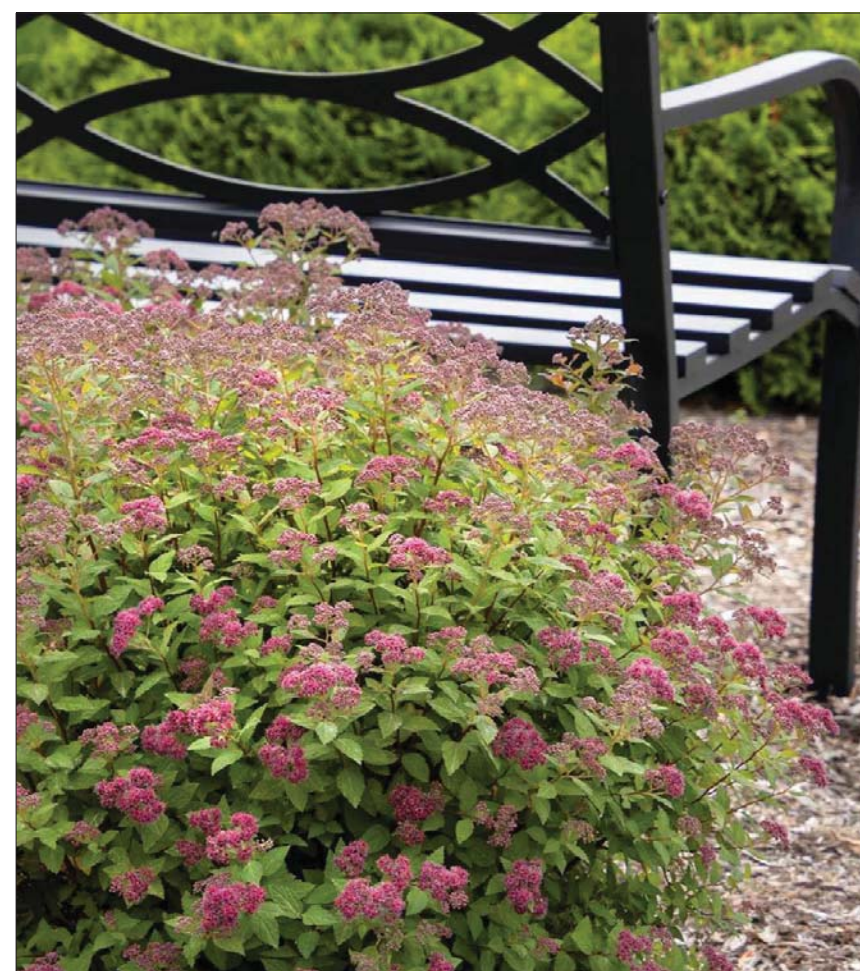
Carex aurea - Bowles Golden Sedge



Caryopteris c. 'Blue Balloon' - Bluebeard



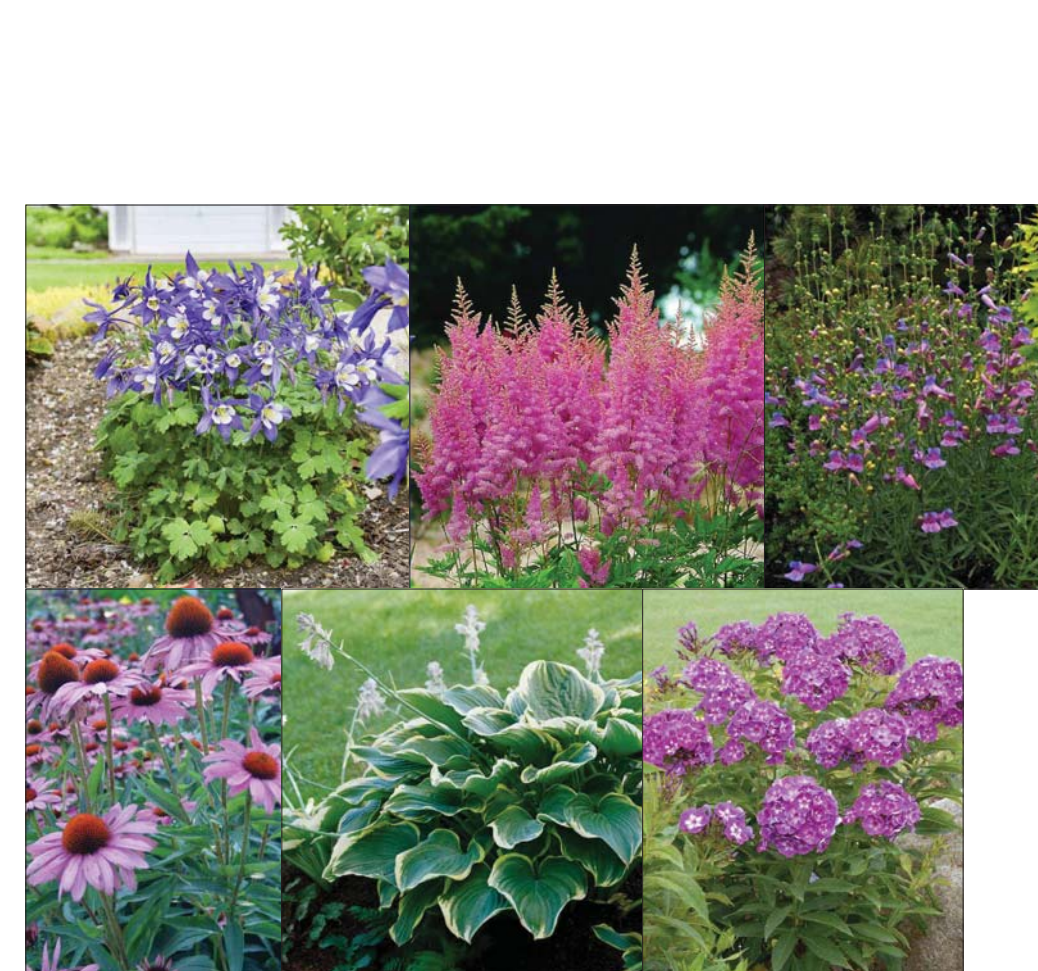
Dryopteris e. 'Brilliance' - Autumn Fern



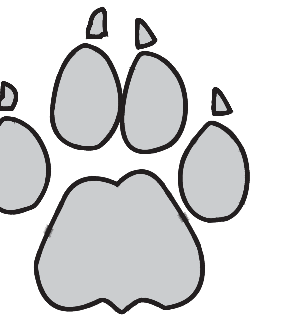
Spiraea j. 'Lil Flirt' - Spirea



Thuja o. 'Fire Chief' - Fire Chief Occidentalis



Mixed Perennials



3337 SUSAN STREET, SUITE 100
COSTA MESA, CA 92626
PHONE: 714.596.9960
FAX: 714.596.9970
www.lazydogrestaurants.com

THESE DRAWINGS PREPARED BY LAZY DOG RESTAURANTS FOR THE PROJECT ARE FOR USE SOLELY WITH RESPECT TO THIS PROJECT AND UNLESS OTHERWISE PROVIDED, LAZY DOG RESTAURANTS SHALL BE DEEMED THE AUTHOR OF THESE DRAWINGS AND SHALL RETAIN ALL COMMON LAW, STATUTORY AND OTHER RESERVED RIGHTS, INCLUDING COPYRIGHT. THESE DRAWINGS SHALL NOT BE USED BY OTHERS ON OTHER PROJECTS, FOR ADDITIONS TO THIS PROJECT OR FOR COMPLETION OF THIS PROJECT BY OTHERS, EXCEPT BY AGREEMENT IN WRITING BY LAZY DOG RESTAURANTS.

-
-
-
-
-
-
-
-
-
-
-

3357 U.S. HIGHWAY 1
(BRUNSWICK PIKE)
LAWRENCEVILLE
NJ 08648



SHEET TITLE
**Preliminary
Landscape
Photos**

DRAWN BY
NS
CHECKED BY
SSA
SCALE
NOT TO SCALE
JOB NO.

SHEET NUMBER
L-2